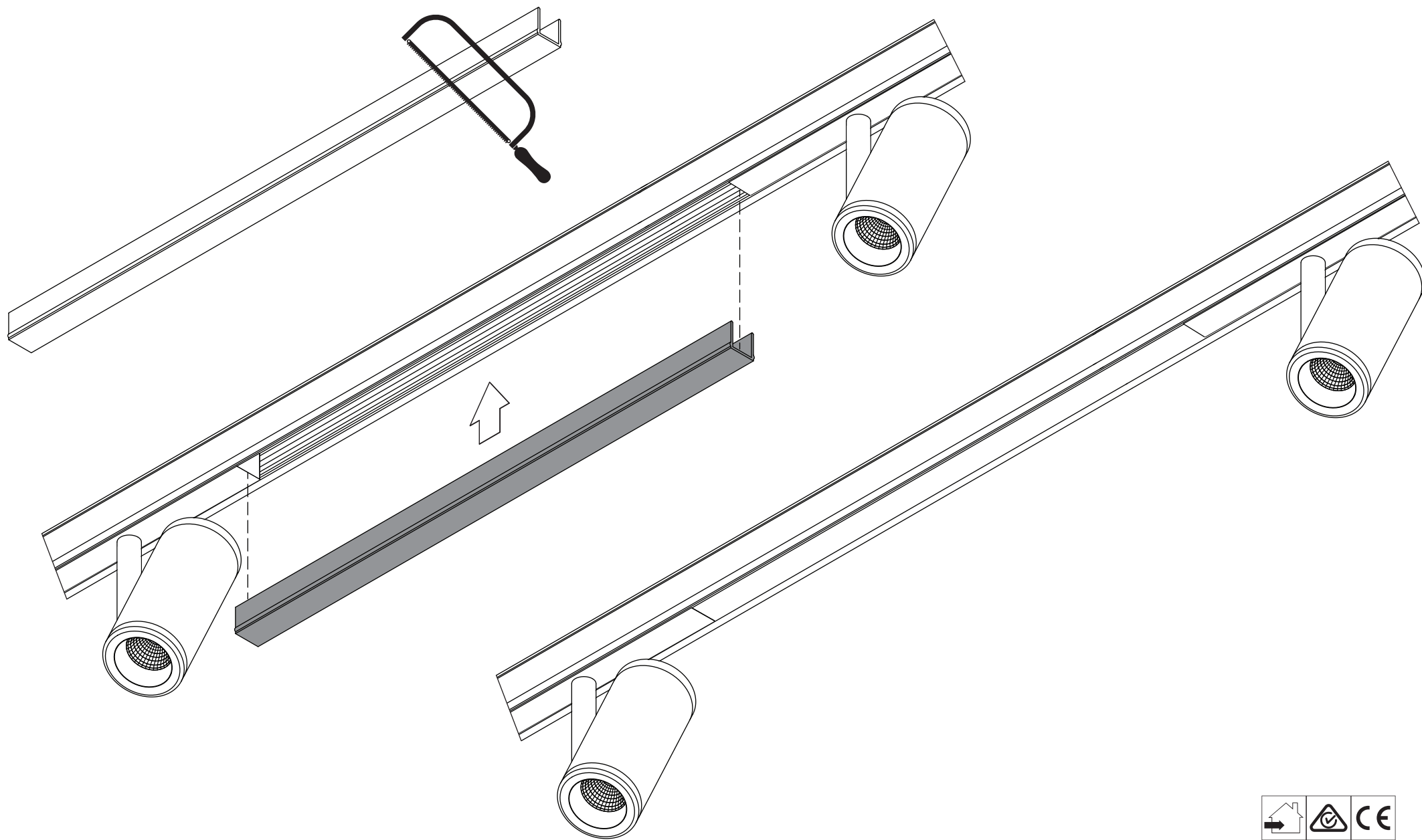


PISTA TRACK 48V COVER

134106XX 134107XX



02 - 09/07/2018